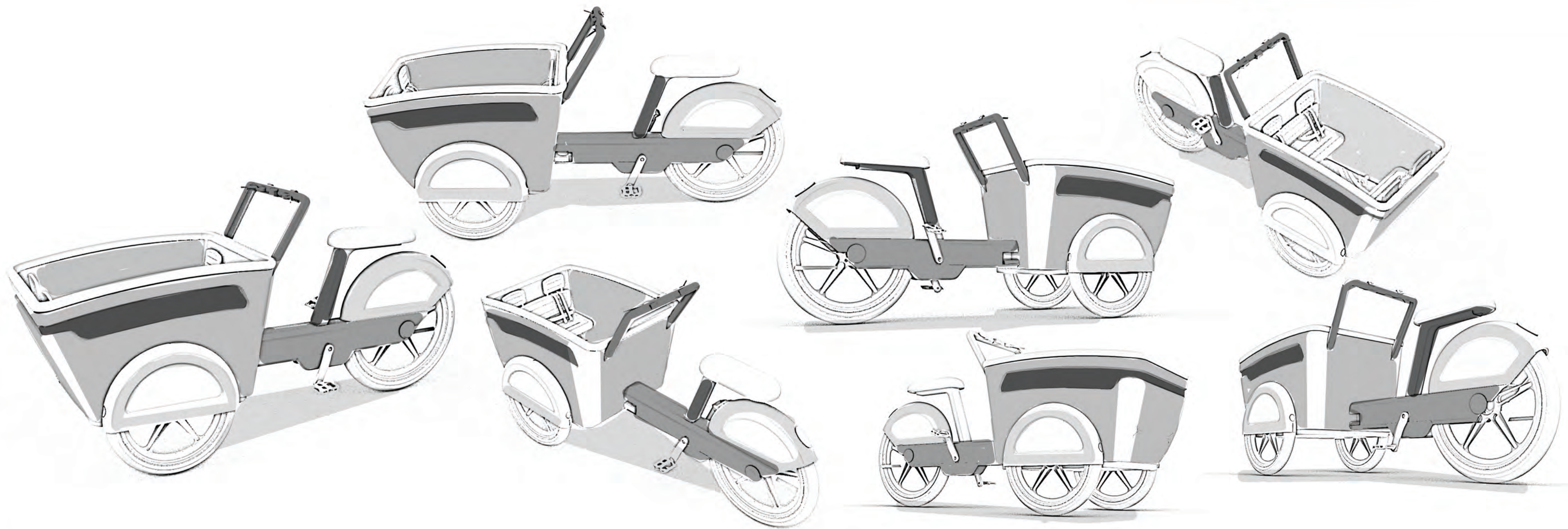






Fiil e-motion was founded with the goal of disturbing the traditional last mile industry by transforming the cargo bike into a highly next generation of last mile delivery cargo bikes. Fiil Bikes is a advanced technology company headquartered in London & Düsseldorf that design and manufacture the ultimate advance next generation zero emissions electric assist cargo bike. Our vision to create and reinvent urban micro mobility, combined with safety and efficiency of delivery vehicle that empowers the environmental friendliness of a Bike that move, breath and live freely. Has always been our mission to perpetually improve the last mile delivery concept by creating the comfort of a automobile with the flexibility of an e-bike a new vehicle class. The development focus on compact exterior dimensions, protection, maximise the feeling of freedom, lightweight, combination of electric and muscle power and comfort. Our Strategy capture high-value users at scale, as Fiil e-motion will become widespread vehicles in towns and cities. Distribution opportunities arise as we move to sustainability, reduce traffic congestion and CO2 emissions in our cities. Target customers include; Amazon, DPD, Postal Services, UPS, FedEx, DPD and other last mile delivery including branding companies. current business forecast sales aims to deliver at least 3,000,000 new units by 2050.







Deep Seat & Seatbelt  
for Extra Protection

Aluminium Brush  
Finish

EPP Cargo

LED Daylight

Strong and Stable Chassis  
with Steering Dampers and  
Air Suspension for Safer Ride

Air Suspension

Auto Park and Locking System

Extra Long Adjustable  
Saddle

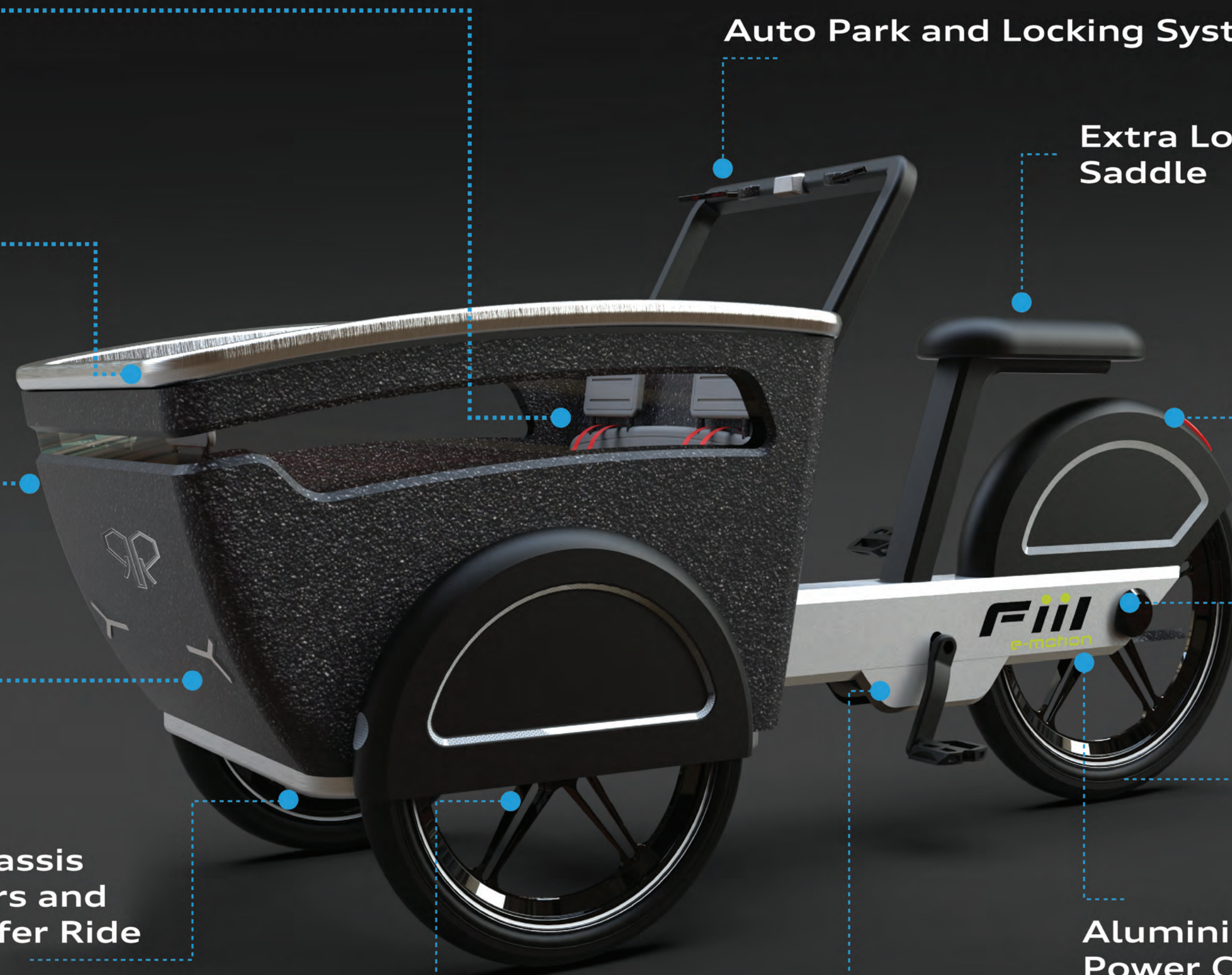
Bright LED Light for  
Maximum Visibility

Powerfull Hub  
Wheel Motor

24" Wheel with  
Flat Run Tyre

Aluminium Frame and  
Power Coated

E-mobility Module Platform,  
allow you to Driver Longer

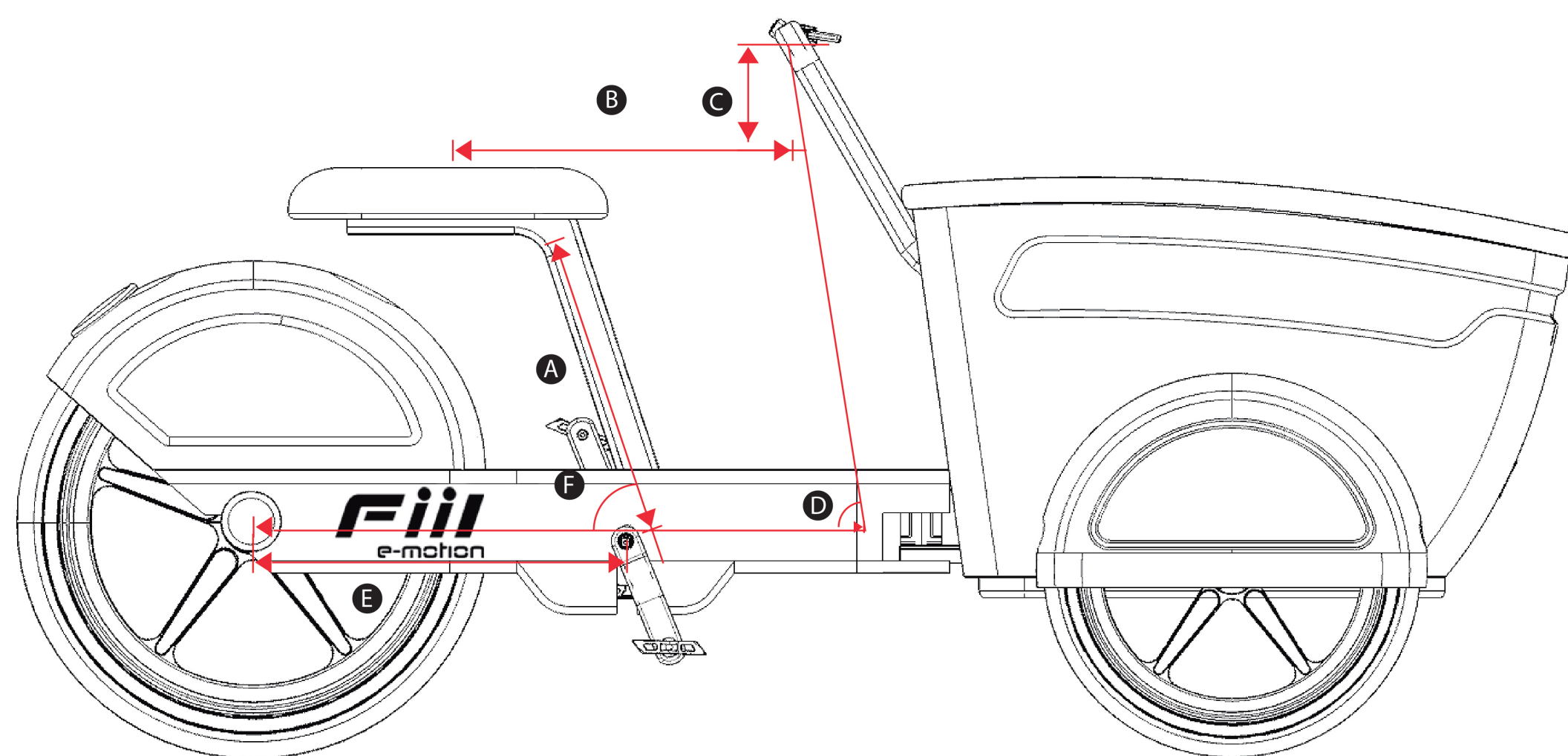






F3 e-motion frame allows drivers to maintain increased driving stability which enhances traffic safety & driving experience in corners. We manufacture all parts on a precise CNC milling and turning machine from high quality aluminium. Which results in a Light Frame Combined With High Rigidity.

### GEOMETRY



Wheel size	550mm
A - Seat tube	500mm
B - Effective top tube	600mm
C - Head tube length	160mm
D - Head angle	85°
E - Chainstay length	440mm
F - Seat tube angle	70°

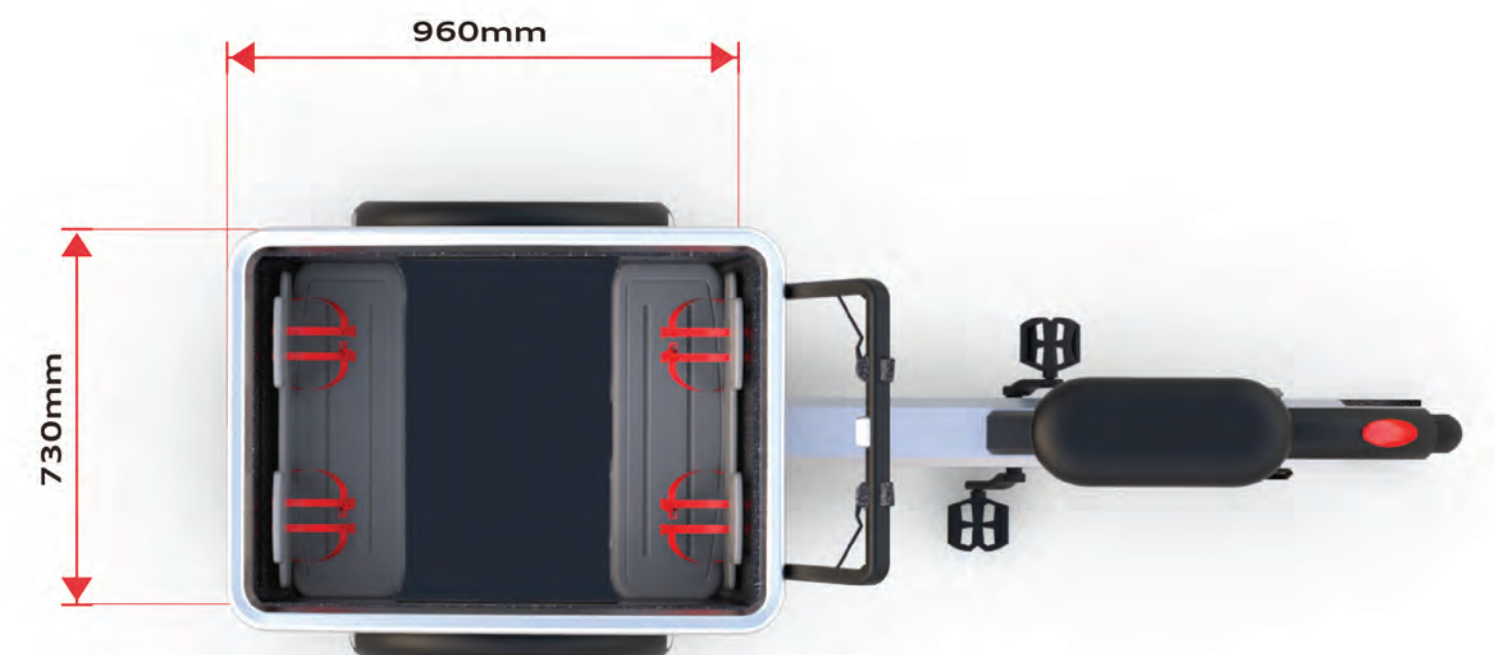




## Technical Data

Motor	Fiil e-motion F3 (Hub Motor)
Torque	250 Nm
Gearbox	Pinion C-line 1.9
Continuous rated power	250 w
Top speed( electr. assisted)	25km/h
Drive-off assistance	up to 6 km/h
Numbers of motors	1
Numbers of batteries	1 (removable lithium-ion battery)
Numbers of battery slots	2 (2nd battery optionally orderable)
Battery voltage	48v
Chassis	suspended front axel
Vehicle dimensions (L,W,H)	2700mm x 800mm x 1000mm
Brakes	hydraulic disk brakes on all 4 wheels
Recuperation	yes
Parking brake	yes
Gearshift	automatic (6 or 9 driving modes)
Reverse gear	yes (electric)
Number of wheels/tires	3
Tires	17 inches
Charging Time	4 h (1 h with quick charger)
Max Payload	150kg
Brakes	hydraulic disk brakes on all 3 wheels
Torque	250Nm
Battery Range	50km
High quality battery	1.2 kWh
Suspension	STEERING TILT SYSTEM
Illumination	Supernova M99
Brake light	yes
Turn signal	front and rear ( incl. hazard warning function)
Side mirrors	yes
Bell	yes
App connection	yes ( smartphone/ smartwatch, android , iOS)
Connectivity	Wi-Fi/4G/Bluetooth/GPS/NFC
USB charging port	yes
Charger	fast charging
Subjet to registration	no
Driving license required	no
Use bike lane in	yes
Rider	120kg Max*
Intuitive "Bike like" Design	yes
Safe and visible riding position	yes
With or without electric assist	yes
Adaptable load bed – multi use	yes
Circle Turning	3m

Create and reinvent urban micro mobility, combined with the safety and efficiency of a delivery vehicle that empowers the environmental friendliness of a Bike to move, breath and live freely.







## Fiiil Bikes Owned State-of-the-Art Industry Manufacturing Plant

Fully licensed Plant with integrated R&D center built for 5000 units as to current installed, ability to increase production capacity to 100,000 bikes at existing site. The complete F3 & F4 development and production has been built in-house by our designers, electrical engineers and technicians.

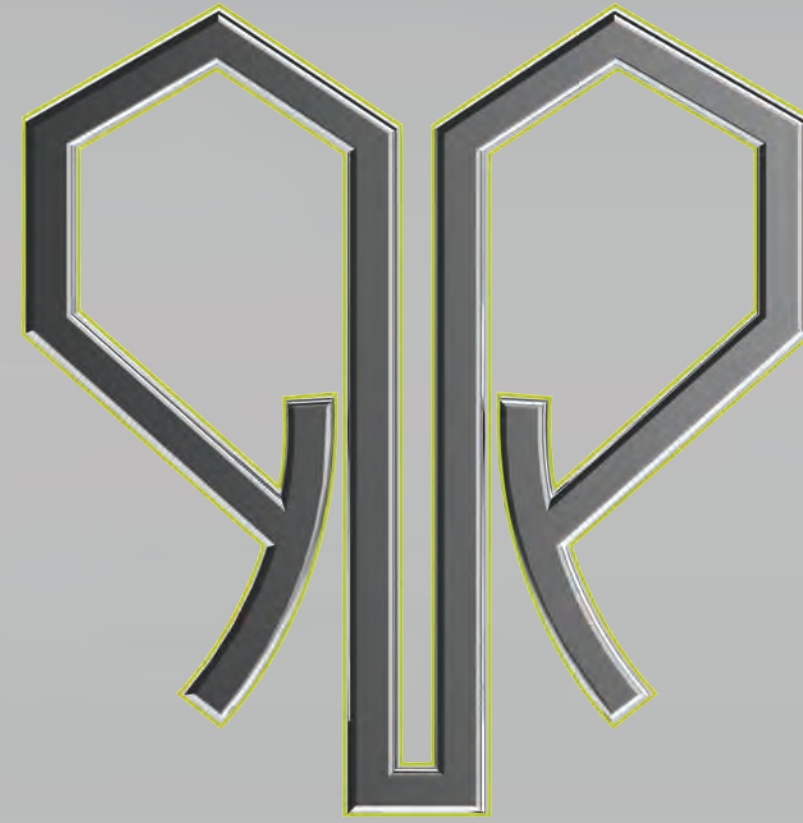
We manufacture all parts on precise CNC milling and turning machines from high quality aluminium. The result: light frame and component weight combined with high rigidity.

We achieve precision and process reliability through computer-aided design and production as well as automated robot welding of the aluminium frame. In addition, there are hardly any limits to our production due to complex bending technology and specially developed extruded profiles.

In addition to perfect, technical functions, the focus is on intelligent solutions, such as the steering system, which is harmoniously integrated into the bicycle design. In this way we achieve the highest possible vertical range of manufacture and take our ideas to a whole new level. The development of our own components is a conscious step with regard to our design language. We focus on the integration and communication of function through form as well as technology. That is why we are constantly striving to advance our design, a specially with the composite skin, that has excellent mechanical properties of flax fibres can compete more and more with other synthetic fibres in the composite world. 75% lower CO2 footprint than that of carbon fibre.







Contact Email:  
[hello@fiilbikes.com](mailto:hello@fiilbikes.com)

Support:  
[02071267171](tel:02071267171)

Press Email:  
[press@fiilbikes.com](mailto:press@fiilbikes.com)